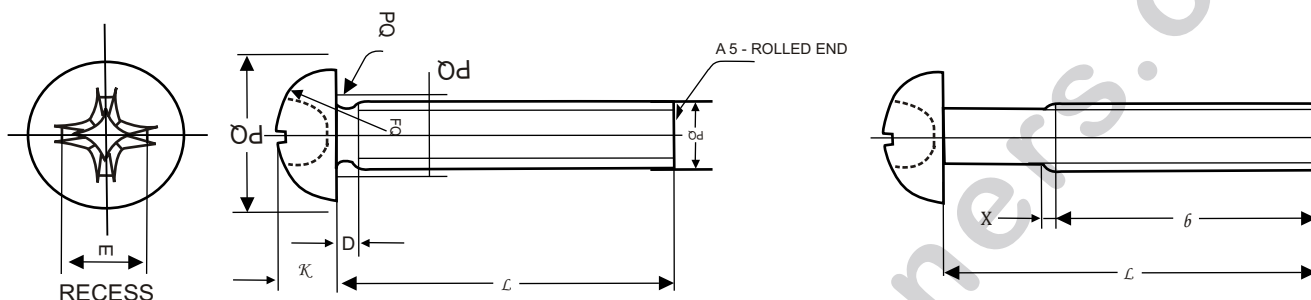


**IS: 7483 - 1985 REAFFIRMED 1991 - PRECISION CROSS RECESSED PAN HEAD SCREWS
METRIC SERIES THREADS - EQUIVALENT TO ISO-7045-1983
NORMAL SERIES(M1.6 - M10) PRODUCT GRADE 'A' - PROPERTY CLASS 4.8 TO 1367(PART - 3) 1992**

TABLE - 60



Other standards are available at vaishnavfasteners.com

DIMENSIONS OF CROSS RECESSED PAN HEAD SCREWS											
THREAD SIZE D		M 1.6	M 2	M 2.5	M 3	M 3.5	M 4	M 5	M 6	M 6	M 10
b	MIN	25.00	25.00	25.00	25.00	38.00	38.00	38.00	38.00	38.00	38.00
da	MAX	2.10	2.80	3.10	3.60	4.10	4.70	5.70	6.80	39.20	11.20
dk	MIN	2.90	3.70	4.70	5.30	6.64	7.64	9.14	11.57	15.57	19.48
	MAX	3.20	4.00	5.00	5.60	7.00	8.00	9.50	12.00	16.00	20.00
k	MIN	1.16	1.46	1.96	2.26	2.46	2.92	3.52	4.30	5.70	7.14
	MAX	1.30	1.60	2.10	2.40	2.80	3.10	3.70	4.60	6.00	7.50
r	MIN	0.10	0.10	0.10	0.10	0.10	0.2	0.2	0.25	0.40	0.40
r _F	=	2.50	3.20	4.00	5.00	6.00	6.50	8.00	10.00	13.00	16.00
CROSS RECESS	RECESS NO.	0		1		2		3		4	
	m REF	1.70	1.90	2.70	3.00	3.90	4.40	4.90	6.90	9.00	10.10
PENETRATION DEPTH	MIN	0.70	0.90	1.15	1.40	1.40	1.90	2.40	3.10	4.00	5.20
	MAX	0.95	1.20	1.55	1.80	1.90	2.40	2.90	3.60	4.60	5.80
SHANK DIAMETER IS APPROX EQUAL TO PITCH DIAMETER OR EQUAL TO MAJOR DIAMETER PERMISSIBLE.											