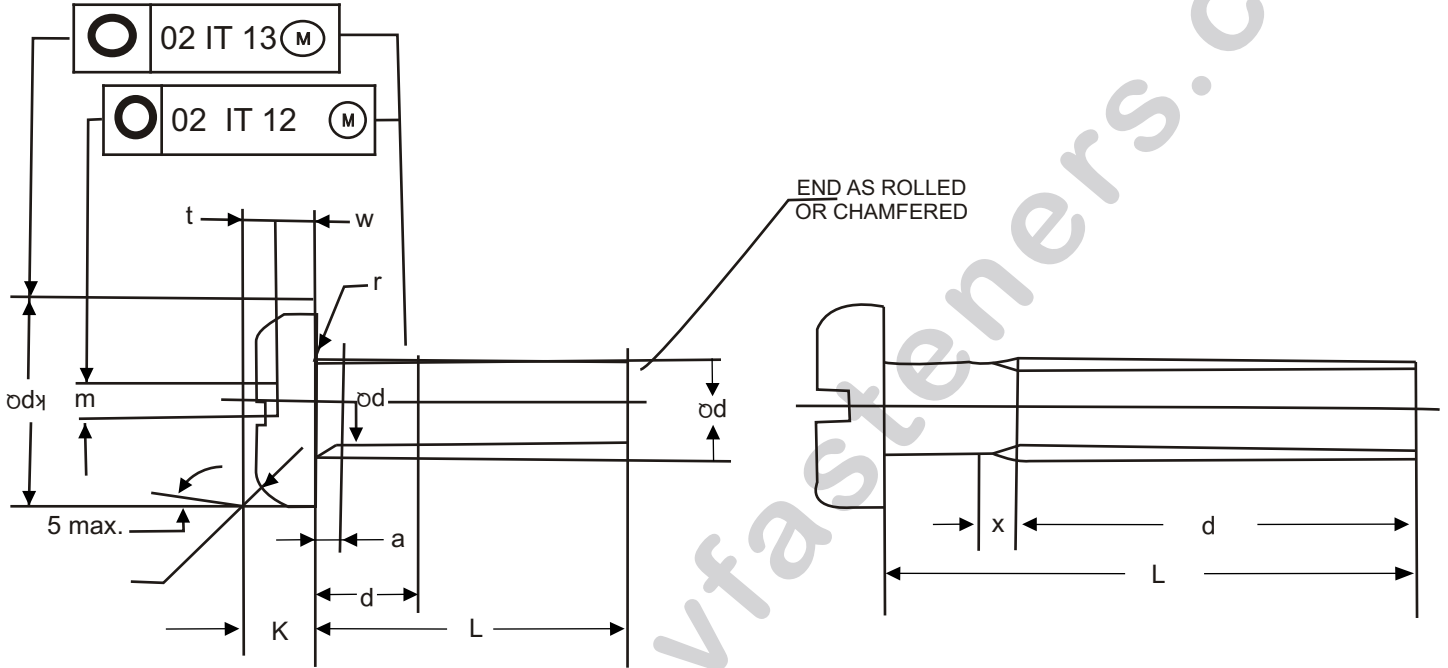


**IS : 6101-1982 REAFFIRMED 1991/Bs: 4183/Din 85 - SLOTTED PAN HEAD SCREWS
(MATIC THREAD SERIES)
NORMAL SERIES (m 1.6 - m 10) PROPERTY CLASS 4.8 TO IS : 1367 (PART - III) 1991**

TABLE - 44



Other standards are available at vaishnavfasteners.com

DIMENSIONS OF SLOTTED PAN HEAD SCREWS

NOM SIZE d	PITCH P	MAJOR DIA		P.C. DIA		DIA. d _x		DIMENSION. k		SLOT WIDTH		SLOT DEPTH	RADIUS	RADIUS	DIM	THD.
		MIN	MAX	MIN	MAX	MIN	MAX	MIN	MAX	MIN	MAX	t1 MIN.	r =	r ₁ =	W =	LENGTH
		TOL. CLASS IS:4218-6g				d _x		k		n			NOM.	MAX.	MIN.	B+2P
M 1.6	0.35	1.496	1.581	1.291	1.354	2.90	3.20	0.86	1.00	0.46	0.60	0.35	0.10	0.60	0.30	25.00
M 2	0.40	1.886	1.981	1.654	1.721	3.70	4.00	1.16	1.30	0.56	0.70	0.50	0.10	0.80	0.40	25.00
M 2.5	0.45	2.380	2.480	2.117	2.188	4.70	5.00	1.36	1.50	0.66	0.80	0.60	0.10	1.00	0.50	25.00
M 3	0.50	2.874	2.980	2.580	2.655	5.30	5.50	1.66	1.80	0.86	1.00	0.70	0.10	1.20	0.70	25.00
M 3.5	0.60	3.354	3.479	3.004	3.089	6.64	7.00	1.96	2.10	0.88	1.00	0.80	0.10	1.40	0.80	38.00
M 4	0.70	3.838	3.978	3.433	3.523	7.64	8.00	2.26	2.40	1.06	1.20	1.00	0.20	1.60	1.00	38.00
M 5	0.80	4.828	4.976	4.361	4.458	9.14	9.50	2.86	3.00	1.26	1.51	1.20	0.20	2.00	1.20	38.00
M 6	1.00	5.794	5.974	5.212	5.324	11.57	12.00	3.30	3.60	1.66	1.91	1.40	0.25	2.40	1.40	38.00
M 8	1.25	1.496	7.972	7.042	17.160	15.57	16.00	4.50	4.80	2.08	2.31	1.90	0.40	3.20	1.90	38.00
M10	1.50	9.732	8.968	8.882	8.994	19.48	20.00	5.70	6.00	2.56	2.81	2.40	0.40	4.00	2.40	38.00

SHANK DIAMETER = PITCH DIAMETER AT = MAJOR THREAD DIAMETER PERMISSIBLE