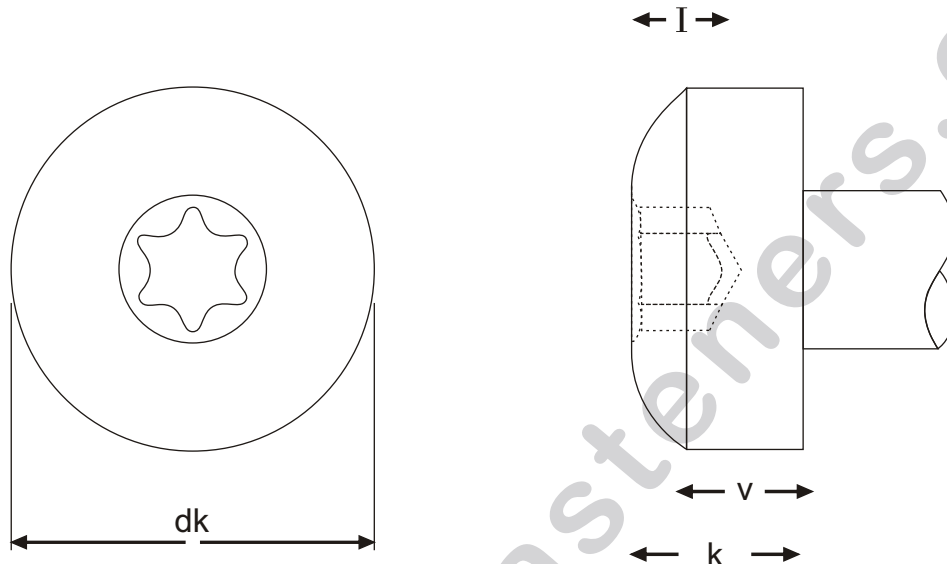


DIN 7985 Torx Head Standard



Other standards are available at vaishnavfasteners.com

Unit : [mm]

SCREW SIZE	DRIVE SIZE	dk		k		v	I	CODE NUMBER			
		HEAD DIAMETER		TOTAL HEAD HEIGHT		HEAD SIDE HEIGHT	RECESS GAGING DEPTH	②	③	④ PUNCH DIAMETER	
		MAX.	MIN.	MAX.	MIN.	MAX.	REF.			(mm)	(inch)
M2	T6	4.00	3.70	1.72	1.4B	1.10	0.90	D L M X	M 2	12	7/16
M2.5	T8	5.00	4.70	2.12	1.88	1.30	1-10	D L M X	M 2 . 5	12	7/16
M3	T10	6.00	5.70	2.52	2.28	1.60	1-10	D L M X	M 3	12	7/16
M3.5	T15	7.00	6.64	2.82	2.58	1.90	1-30	D L M X	M 3 . 5	12	7/16
M4	T20	8.00	7.64	3.25	2.95	2.00	1-50	D L M X	M 4	14	9/16
M5	T25	10.00	9.64	3.95	3.65	2.50	1-70	D L M X	M 5	18	7/8
M6	T30	12.00	11.57	4.75	4.45	3.00	2-10	D L M X	M 6	23	7/8
M8	T40	16.00	15.57	6.15	5.85	3.70	2-50	D L M X	M 8	23	7/8